

Readers Series

Hybrid card reader

Industrial Components



Elevation

Hybrid card insertion reader: magnetic stripe and RFID reader and chip card reader/writer. USB or RS232 connection.

Reader with connection and power supply via USB port or RS232 (external power supply), with several fronts to facilitate integration and communication with the user.

The medium insertion ensures the user that his card will not be left inside the reader by mistake or forgotten.



Inside

TECHNICAL SPECIFICATIONS

Direct Importer: Grupo EOS Ibérica

Source: 5V±5% or USB.

Consumption: <200 mA.

Interface: USB or RS232.

Vibration: Vibration resistant.

Humidity: 0% ~ 90% (non-condensing).

Operating temp.: 0°C-50°C, 0~90%.

Storage Temp: -25°C~80°C, 0~95%.

SO: Windows 7, 8, 10, Linux Compatible.

Warranty: 1 Year (extendable up to 3 years).

Size of cards supported: Width: 53.92~54.18 mm
Length: 85.47~85.90 mm Thickness: 0.76mm ± 0.08 mm.

OTHER TECHNICAL DATA

Hybrid manual insertion reader: magnetic stripe and RFID reader and chip card reader/writer.

EMV level 1 certified. Supports memory chip cards and T=0 / T=1 microprocessed cards. Landing type chip contact, **card blocking while reading** the chip. Incorporates

SAM slot Reading of **high and low coercivity magnetic stripe**. Available in 1, 2 and 3 track configuration.

Card ejection by command and power down. Firmware programming upgradeable. Bi-colour LED indication.

Card compatibility: Standard IC cards: ISO7816 standard certified, EMV2000 Level1, PBOC3.0. Examples (AT24C01, 24C02, 24C256, SLE4447, SLE4428, CPU T=0/T=1)

Magnetic standard cards: ISO7810 and 7811 standard compliant. Card dimensions:: SO ISO7810ID-1-type card compliant Embossing: ISO7811-1, ISO7811-3 compliant Recording format: ISO7811-2, ISO7811-4, ISO7811-5, ISO7811-6 complaints

RFID standard card: ISO14443-3 compliant (TYPE A: e.g. S50,S70,UL etc.). ISO14443-4 compliant (TYPE A CPU, TYPE B CPU e.g. Mifare plus, Mifare DesFire, etc.).

I/O PORTS



Front



Rear

BEZEL OPTIONS



Bezel model E



Bezel model Q

MOST COMMON APPLICATIONS

- > Paid applications.
- > Gaming.
- > Parking.
- > Petrol stations.
- > Retail.
- > Transport.
- > Vending.

PRODUCT VALUES

- > EMV certificate.
- > Robust, vandal-proof design.
- > Card blocking during reading.
- > Automatic card ejection system.

SOME SUCCESS STORIES

- > Integration of motorway payment terminals
- > Unattended kiosks
- > Unattended kiosks.

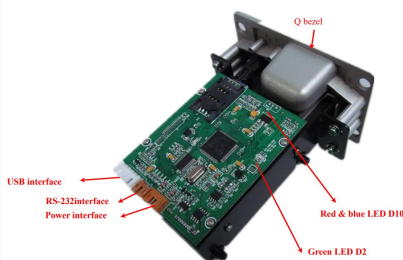
ALTERNATIVE REFERENCES

- > HCR-335 Reader
- > CRT-603P Reader

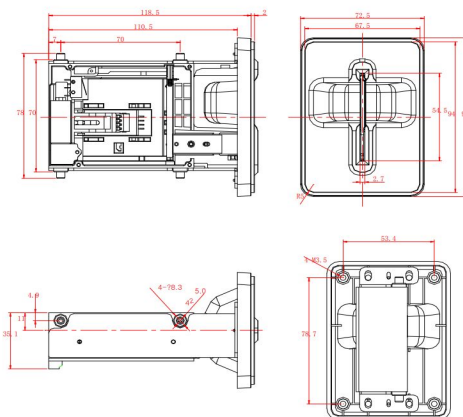
CERTIFICATIONS



CONNECTIONS

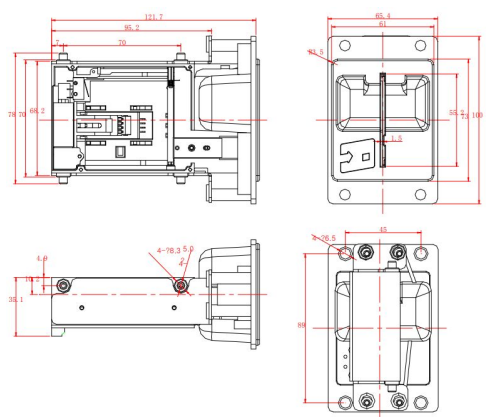


DIMENSIONS



Bezel modelo E

DIMENSIONS



Bezel modelo Q